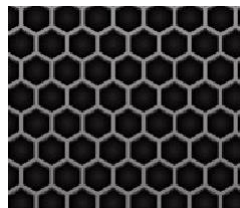
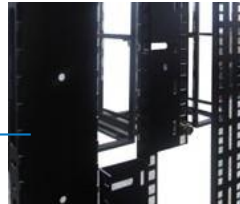


EZRAK® MVS

Dual depth mounting suits different server

Fully perforated door with 80% ventilation



EzRak® MVS Multi-Vendor Server Version

EzRak® MVS Multi-Vendor Server Rack comes with depth of 1,000mm or more with double split rear panel mounts, suitable for high-density 19" rack mount servers with rear space for cable management. The perforated doors provide maximum thermal management for mission critical active equipment.

FEATURES

- Supplied fully assembled or knocked down version
- Load rating of 1,800kg Static Weight Load (SWL)
- Front honeycomb perforated metal door (Double Optional)
- Rear honeycomb perforated metal door (Double Optional)
- Door with heavy duty, robust swing handle and lock
- 5 Heights – 32U, 42U, 45U, 47U, 48U, 50U & 52U (other height available)
- 2 Widths – 600mm and 800mm (other width available)
- 4 Depths – 800 mm, 1,000mm, 1,100mm and 1,200mm
- Cable entry provided for the top and bottom
- Top fan tray for 2, 4 or 6 fans (optional)
- Adjustable 19" panel mounts – Multi-Vendor Server version
- Split rear panel mounts for multiple server depths
- Quick release side panel, lock optional
- Adjustable feet, 100mm plinth or heavy duty castors
- Two tone fine texture black
- Other sizes are available upon request
- A wide range accessories
- U height indicator strip on mounting frame

ORDERING INFORMATION

HEIGHT	WxD	WxD	WxD	WxD	WxD	WxD	WxD	WxD
	(mm) 600x 800	(mm) 600x 1,000	(mm) 600x 1,100	(mm) 600x 1,200	(mm) 800x 800	(mm) 800x 1,000	(mm) 800x 1,100	(mm) 800x 1,200
32U	MVS 60832	MVS 61032	MVS 61132	MVS 61232	MVS 80832	MVS 81032	MVS 81132	MVS 81232
42U	MVS 60842	MVS 61042	MVS 61142	MVS 61242	MVS 80842	MVS 81042	MVS 81142	MVS 81242
45U	MVS 60845	MVS 61045	MVS 61145	MVS 61245	MVS 80845	MVS 81045	MVS 81145	MVS 81245
47U	MVS 60847	MVS 61047	MVS 61147	MVS 61247	MVS 80847	MVS 81047	MVS 81147	MVS 81247
52U	MVS 60852	MVS 61052	MVS 61152	MVS 61252	MVS 80852	MVS 81052	MVS 81152	MVS 81252

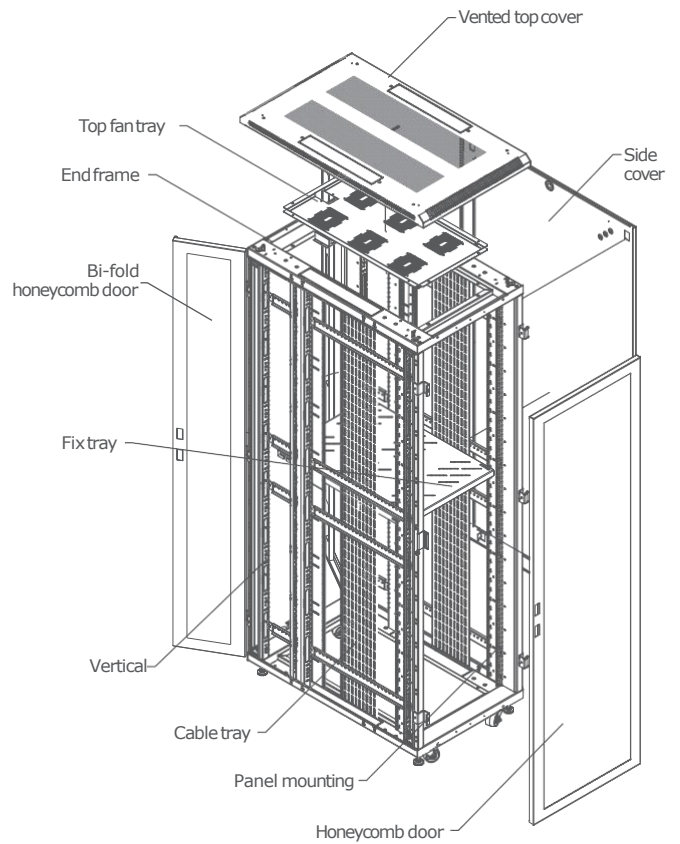
EzRak® MVS – Dimensions and mounting positions

Height (U)	DIM 'A' (mm)	DIM 'B' (mm)
32U	1,530.25	1,424.05
42U	1,975.00	1,868.50
45U	2,108.00	2,001.90
47U	2,197.00	2,090.80
52U	2,414.50	2,308.30

Width	External Mounting (mm)	
600	600	466
800	800	666

Depth	External Mounting (mm)	
800	800	440
1,000	1,000	540
1,100	1,100	640
1,200	1,200	740

Description	DIM 'C'
Heavy duty castor wheel	92.1mm
Adjustable feet	Min. 25 Max. 40
Adjustable foot adaptor	Add 56mm to adjustable feet
Top cover (std)	48mm



Standards

- IEC 297-2
- DIN 41494, part 7
- DIN 41491, part 1 (mounting dimension)
- EN 60950
- VDE 0100
- EIA-310-D

